

Ristanto Wirangga - The Impact of Wind Speed on the Rate of Water Evaporation in a Desalination Chamber

by Ristanto Wirangga Uploaded By Lutfan Zulwaqar

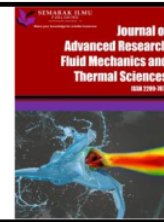
Submission date: 20-Jun-2023 04:37PM (UTC+0700)

Submission ID: 2119613402

File name: n_the_Rate_of_Water_Evaporation_in_a_Desalination_Chamber_1.pdf (625.48K)

Word count: 5661

Character count: 30308



The Impact of Wind Speed on the Rate of Water Evaporation in a Desalination Chamber

Ristanto Wirangga¹, Dan Mugisidi^{1,*}, Adi Tegar Sayuti¹, Oktarina Heriyani¹

¹ Department of Mechanical engineering, Faculty of Industrial and Informatic Technology, Universitas Muhammadiyah Prof. Dr. HAMKA, Indonesia

ARTICLE INFO

Article history:

Received 19 January 2023
Received in revised form 15 April 2023
Accepted 22 April 2023
Available online 14 May 2023

Keywords:

Sea water; desalination; evaporation;
wind velocity

ABSTRACT

Water is very important to human life, and its use is increasing as the population grows. However, sources of fresh water on the earth's surface are limited, as seawater covers most of the earth. Therefore, seawater desalination is a potential solution to water shortages. Desalination is the process of removing salt from seawater to produce fresh water. Desalination is particularly useful approach in Indonesia because two-thirds of this nation's territory is ocean. Desalination involves two stages: evaporation and condensation. Wind speed affects the rate of evaporation. Thus, this study explores the effect of wind speed on the rate of evaporation. Wind speed was regulated using a fan, and wind speeds of 0 m/s, 0.6 m/s, 2.6 m/s, and 5 m/s were tested; the water temperature was kept constant at 60 °C. The data were analyzed statistically to determine the effect of wind speed on the evaporation of seawater. The highest rate of evaporation occurred at a wind speed of 5 m/s and the lowest at a wind speed of 0 m/s. The highest amount of condensation occurred at a wind speed of 0.6 m/s and the lowest at a wind speed of 5 m/s.

1. Introduction

Water is very important for humans. Water consumption increases as the number of people on earth increases, and a global population increase of 15% will reduce the quality and amount of clean water by 40% [1-3]. Clean water shortages occur all over the world, including in Indonesia. In fact, in several places in Indonesia lack clean water and must buy it from other areas [4,5]. Even though Indonesia is the largest archipelagic country in the world and two-thirds of its area (3,288,683 km²) consists of ocean, shortages of clean water occur in many places, especially in coastal regions, only 66.54% have access to clean water [6-8]. This is a serious concern; only 2.8% of water on the earth's surface is fresh, while the rest is advance water [9]. Therefore, seawater is a potential source of clean water, and due to the abundance of seawater in Indonesia, desalinating seawater to convert it to clean water could help address the nation's water problems [10,11].

* Corresponding author.

E-mail address: dan.mugisidi@uhamka.ac.id

<https://doi.org/10.37934/arfmts.106.1.3950>

⁶ Desalination is the process of removing the salt from seawater to produce fresh water that uses two processes to separate salt from water: evaporation and condensation [12-16]. The resulting fresh water can be used for various human needs, including drinking, washing, and cooking [17]. In addition to converting seawater into fresh water, the desalination process also produces salt through the separation of seawater content. The salt produced through this process has potential as a valuable product. However, modern desalination equipment is fairly inefficient due to ineffective evaporation processes [18].

Many studies on evaporation have been conducted. Some study that has ³⁶ been explored include the effect of pressure and material ¹³ on evaporation, the impact of the angle of the glass roof and the mirror at the base of the basin ¹⁹ on evaporation; the effect of sunlight on evaporation; the effect of water level on evaporation; the effect of temperature on evaporation; and the use of mist ¹¹ sprayed from a nozzle to evaporate water [19-35]. However, no previous study has explored the effect of wind speed on the evaporation of sea water in desalination ¹² chamber.

Therefore, the present study aimed to determine the effect of wind speed on the evaporation ³² of seawater in a desalination device. This study has analysed the impact of various wind speeds on the evaporation of seawater at a constant temperature. This research is believed to be beneficial for traditional salt-making farmers who still take advantage of natural conditions in the salt-making process. Evaporation in salt fields depends on wind speed and solar heat. The results of this study can be used to improve salt industry facilities in order to increase their efficiency.

1.1 Mass Transfer

Mass transfer is the transfer of a substance in a mixture from one location to another [36,37]. Mass transfer can also be interpreted as the driving force that causes the movement of molecules in liquid [38-41]. The mechanism of mass transfer is largely due to the dynamics of liquids [42]. Many physical and chemical processes involve mass transfer, including adsorption, evaporation, precipitation, membrane filtration, desalination and drying [43]. Engineers use mass transfer to describe physical processes involving molecular diffusion and the convection transfer of chemical species within a system. Previous studies have shown that number of mass transfer can vary depending on the physical and chemical parameters of the system, such as temperature, pressure, viscosity, and flow rate [44,45].

Evaporation is the process by which water transforms into water vapour or gas. ⁹ It is caused by the difference in pressure between the surface of the water and the air above it [46]. Evaporation can be affected by several physical parameters, including humidity, wind speed and air temperature [47]. There are various methods for measuring evaporation [48].

Evaporation rate calculation:

According to Yuga *et al.*, [49], the rate of evaporation is defined as

$$E_{lp} = (0.37 + 0.0041 \bar{u})(p_s - p_w)^{0.88} \quad (1)$$

where

E_{lp} = evaporation rate, in/day

\bar{u} = wind movement, mi/day

p_s = saturation vapor pressure at air temperature water vapor, in Hg, and

p_w = actual vapor pressure of air under conditions of temperature and humidity, in Hg.

To calculate the mass evaporation rate per unit area, uses the following equation [50]

$$\frac{\dot{m}_w}{A} = \frac{E_{lp}}{12} \rho_w \quad (2)$$

where

E_{lp} = mass evaporation rate per unit area, kg/h · m² and

ρ_w = water density, lb/ft³.

To determine the efficiency of the condenser in a desalination system, condensation efficiency is calculated using the following equation [51]

$$(\eta) = \frac{\text{condensation results}}{\text{evaporation result}} \times 100\% \quad (3)$$

1.2 Pressure

Pressure is one of the primary factors impacting the rate of evaporation [52]. Therefore, it is necessary to determine the pressure in the water and on its surface because evaporation occurs when the air pressure above the water is lower than the surface water pressure. When the air pressure is low, water molecules evaporate into the atmosphere, leaving water behind. During evaporation, water molecules draw heat from the environment, which causes the temperature of the water to decrease and reduces the concentration of water molecules in the water.

The following equation is used to calculate water pressure [53]

$$P_w = \exp \left[25.317 - \frac{5144}{T_w + 273} \right] \quad (4)$$

where

P_w = water pressure (Pa) and

T_w = water temperature (°C).

2. Methods

In this study, a temperature of 60°C was maintained in the main water container. Several wind speeds (0 m/s, 0.6 m/s, 2.6 m/s, and 5 m/s) were obtained using an adjustable fan to compare the rate of seawater evaporation during desalination at different wind speeds. High wind speeds can help remove the water vapor from the surface of the desalination device and reduce the pressure, thus accelerating evaporation. However, wind speeds that are too high can cause vortices and energy losses [54].

Thus, various wind speeds were compared in this study to help determine the optimal conditions to maximize the evaporation rate of seawater during desalination. The following tools were used as shown in Table 1.

Table 1

Measurement tools

No	Tools	Function	Specifications
1	Thermostat XH-W3001	Temperature	-50°C -110°C, ±0.1°C.
2	Anemometer GM816	Wind speed	0 – 30 m/s, 0.1 m/s,
3	Digital thermometer	Water temperature	-50°C -110°C, ±0.1°C
4	Digital hygrometer	Humidity	10% – 99%, ±1%
5	Digital scale 40 kg	Water mass	0 – 40 kg, 0.005 kg
6	Digital scale 5 kg	Condensed water mass	0 – 5 kg, 1 gr

Figure 1 shows the design of the research tool. The study was conducted in the mechanical engineering laboratory of the Faculty of Industrial and Informatics Technology at the Universitas Muhammadiyah Prof. Dr. HAMKA from March to August 2022.

Figure 2 shows a schematic of a desalination device used in this study. In this device, seawater in the main container is heated to maintain the water temperature at 60°C. As the water evaporates, water vapour moves towards the steam funnel and through it to the condenser. Wind speeds of 0 m/s, 0.6 m/s, 2.6 m/s and 5 m/s were tested. Seawater in the holding container is channelled to the condenser by a pump. Water from the condenser flows into the control container through the condenser outlet. To maintain the water level at a certain level, the control container has an overflow into the holding container. Therefore, the water level in the control container remains constant, while the water level in the holding container decreases due to evaporation. So that the rate of evaporation is measured by the mass of the water in the holding container. Every 15 minutes, the mass of the water in the holding container is measured using a digital scale to determine whether the water mass has reduced due to evaporation. In Figure 2, data are collected at RH1, RH2, T1 and T2. Where T1 is temperature of the incoming air above the seawater in the main container, T2 is temperature of the outgoing air over the seawater in the main container, RH1 is humidity of the incoming air over the seawater in the main container and RH2 is humidity of the outgoing air over the seawater in the main container.

This study was conducted indoors to minimise of uncontrollable variables such as wind speed and solar radiation

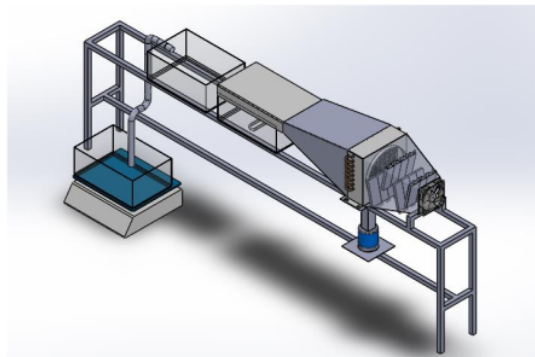


Fig. 1. Experimental rig

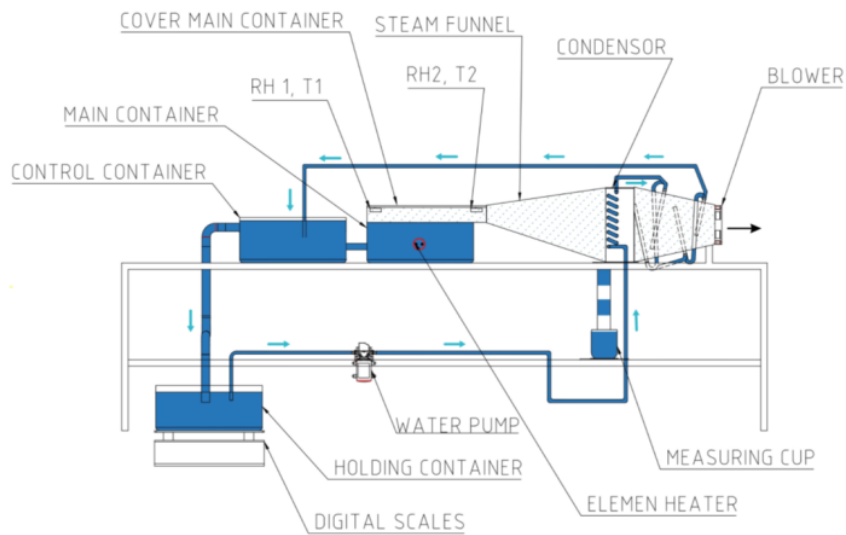


Fig. 2. Experimental setup

3. Results

In this study, four variables were tested: ²wind speeds of 0 m/s, 0.6 m/s, 2.6 m/s and 5 m/s. Other data collected were water and air temperature, relative humidity, mass of water in holding container to measure evaporation ³⁷on results and mass of measuring cup to measure condensation results.

Figure 3 shows ³⁷the evaporation and condensation data collection processes. Seawater in the main container is heated using a heater which is regulated by a thermostat to maintain a constant temperature of 60°C. Data collection begins when seawater in the holding container is pumped into the condenser, from there to the heat exchanger, and from there to the control container, which is connected to the main container. This ensures a constant level of seawater in the main container. Data were collected every 15 minutes for two hours.



Fig. 3. Desalination equipment

3.1 Total Evaporation

To determine how much seawater evaporates under four different wind speeds, it is necessary to measure the reduction in mass of water in the holding container. This was measured using digital scales to determine how much seawater evaporated during desalination.

Using Eq. (1) and Eq. (2), the theoretical and measured evaporation rates per unit area over two hours were calculated; the results are shown in Table 2.

The values shown in Table 2 are plotted in Figure 4 to illustrate the correlation between the experimental and theoretical evaporation.

Table 2
 Experimental and theoretical evaporation

	Experimental	Theoretical
V = 0 m/s	335 ml	360.5 ml
V = 0.6 m/s	455 ml	496.3 ml
V = 2.6 m/s	530 ml	549.8 ml
V = 5 m/s	715 ml	763.5 ml

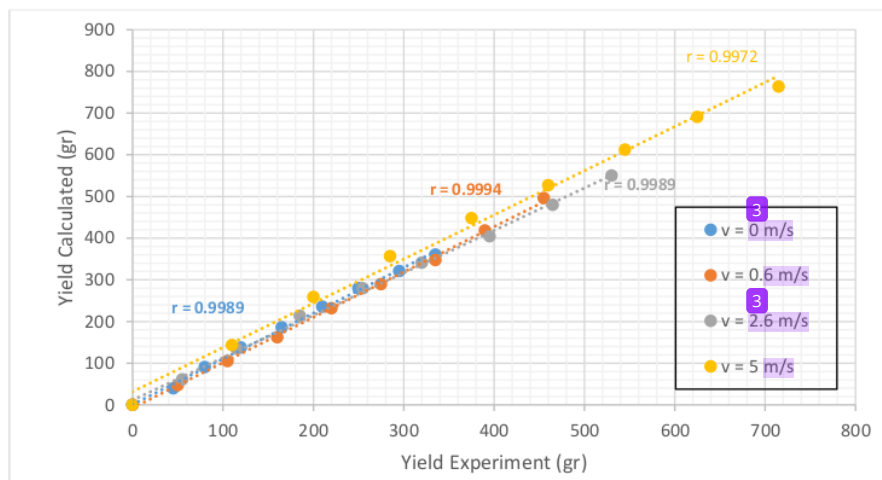


Fig. 4. Correlation of experimental and theoretical evaporation rates

The experimental results show the actual evaporation rates at various wind speeds over a period of two hours. These results show that higher wind speeds led to higher evaporation rates. At a wind speed of 0 m/s, the actual evaporation rate is 335 ml, while at a wind speed of 0.6 m/s, the actual evaporation rate increases to 455 ml. At a wind speed of 2.6 m/s, the actual evaporation rate is 530 ml, and at a wind speed of 5 m/s, the actual evaporation rate reaches 715 ml. The theoretical evaporation rates at these wind speeds were also calculated. The theoretical evaporation rate at a wind speed of 0 m/s is 360.505 ml, while at a wind speed of 0.6 m/s, the theoretical evaporation rate increases to 496.3 ml. At a wind speed of 2.6 m/s, the theoretical evaporation rate is 549.8 ml, and at a wind speed of 5 m/s, the theoretical evaporation rate reaches 763.5 ml. The results of this study show that wind speed significantly impacts the evaporation rate. Increased wind speed causes a decrease in air pressure above the basin, accelerating the evaporation process [55].

It can therefore be concluded from these findings that wind speed affects the rate of evaporation. However, it should be noted that the theoretical evaporation rate may differ from the actual evaporation rate due to other factors not measured in this study. The results of this study can be used as a reference for calculating the evaporation rate in a given location based on wind speed.

The correlation between measured and theoretical evaporation rates ranges from 0.9972 to 0.9994 (Figure 4), which means it is between 0.99 and 1. This indicates a strong correlation between actual and theoretical evaporation rates in the present study and the future similar studies can be predicted using this calculation [56]. Thus, it can be concluded that wind speed significantly affects evaporation, and this study shows that the measured evaporation rates correlate strongly with theoretical calculations. These findings can be used as a basis for developing a model to predict evaporation rates.

Pressure is one of the main factors impacting evaporation; therefore, in the present study, it was necessary to measure the pressure in the water vapor and the surface pressure of the water [57]. This is because evaporation is caused by pressure differences. The vapour properties were used to measure the air pressure above the basin as shown in Table 3 [58]. Water pressure was calculated as 19,331.67 Pa using Eq. (4). Thus, the air pressure above the surface of the water is lower than the water pressure; this difference in pressure causes evaporation [59].

As seen in Figure 5, the temperature of the air entering the basin (T1) is always lower than the temperature of the air leaving the basin (T2). This is because, during evaporation, water draws heat energy and transforms into water vapor [60]. Therefore, the air leaving the basin has a higher temperature because it has heat energy.

As shown in Figure 5, higher wind speeds decrease the air temperature. Thus, increasing the wind speed increases the rate of evaporation because the wind carries the newly formed water vapor away from the surface of the water and replaces it with drier air. Increasing the wind speed also increases the rate at which heat is transferred from the surface of the water to the surrounding air, decreasing the air temperature further.

Relative humidity (RH) is a ratio of the humidity ratio of a particular water-air mixture compared to the saturation humidity ratio at a given temperature (dry-bulb) [61]. As wind speed increases, the pressure of partial water vapour decreases, causing RH to decrease. This is shown in Table 3; higher wind speeds lead to lower pressure in the partial water vapour. As shown in Figure 5, increasing the wind speed decreases the humidity. Previous studies have also shown that higher wind speeds lead to lower RH [62]. The decrease in humidity from the time of entry (RH1) to exit (RH2) depends on wind speed; faster wind speeds bring water vapour, decreasing air humidity, which accelerates evaporation [63].

Table 3
Air pressure over the basin

Air pressure over the basin			
v = 0 m/s	v = 0.6 m/s	v = 2.6 m/s	v = 5 m/s
10433 Pa	6159 Pa	5154 Pa	5123 Pa

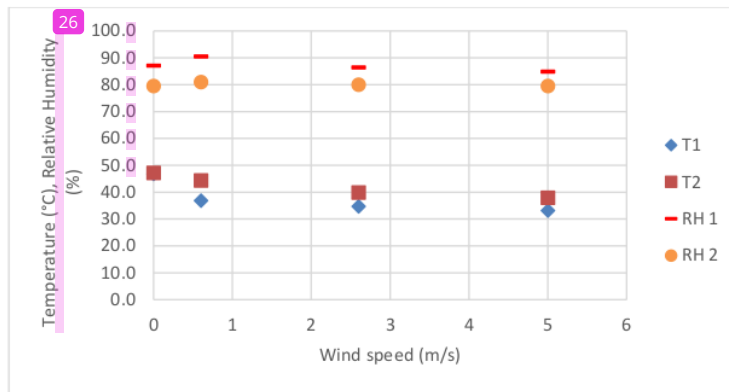


Fig. 5. Temperature (T1, T2) and relative humidity (RH1, RH2)

3.2 Amount of Condensed Water Produced

The largest condensation results are produced by a speed of 0.6 m/s as can be seen in Figure 6. In the same figure it can also be seen that the smallest condensation results are at speeds of 0 m/s and 5 m/s, namely 9 ml in two hours because the speed wind for $(V) < 0.9$ m/s, convection heat transfer and condensation rate increase with a large increase in gradient [64]. So that with increasing wind speed the evaporation rate increases but the heat transfer from water vapor to the condenser does not have enough time to turn into a liquid phase because wind speeds above the range of 5-7 mph will reduce the condensation rate [65].

Eq. (3) was used to calculate the condensation efficiency of the desalination device. At a wind speed of 0 m/s, the device's efficiency is 2.69%; at a wind speed of 0.6 m/s, it is 14.28%; at a wind speed of 2.6 m/s, it is 8.87%; and at a wind speed of 5 m/s, it is 1.26%. These results indicate that changing the condenser would improve the efficiency of condensation [66].

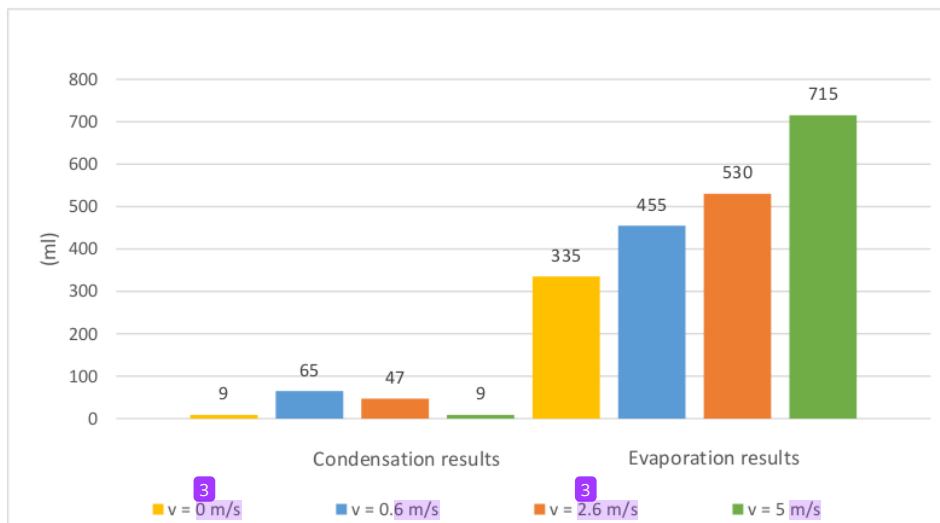


Fig. 6. Evaporation vs condensation over a two-hour period

4. Conclusions

Based on the results of the study, it can be concluded that wind speed significantly impacts the rate of seawater evaporation during desalination. The present study has demonstrated that increasing the wind speed accelerates evaporation. Over a period of two hours, the highest amount of water evaporated (715 ml) with a wind speed of 5 m/s; the lowest amount of water evaporated (335 ml) with a wind speed of 0 m/s. However, higher wind speeds also decrease condensation because wind causes the water vapour to exit the condenser more quickly, before it can condense. Therefore, the condenser used in this research should be improved to support more efficient desalination.

Acknowledgement

The author would like to thank the UHAMKA Research and Development Office for funding this research under contract number 51/F.03.07/2022.

References

- [1] Habib, Somar Moaen, Ahmed Hamed, Ahmed Yahia Youssef, Mahmoud Kassem, and Abdalla Hanafi. "Dynamic Modeling and Simulation of the Forward Feed MED-TVC Desalination Plant." *Journal of Advanced Research in Fluid Mechanics and Thermal Sciences* 92, no. 1 (2022): 190-211. <https://doi.org/10.37934/arfmts.92.1.190211>
- [2] Maizunati, Nur Afiyah, and Mohamad Zaenal Arifin. "Pengaruh Perubahan Jumlah Penduduk Terhadap Kualitas Air di Indonesia." *Jurnal Litbang Provinsi Jawa Tengah* 15, no. 2 (2017): 207-215. <https://doi.org/10.36762/litbangjateng.v15i2.417>
- [3] Schewe, Jacob, Jens Heinke, Dieter Gerten, Ingjerd Haddeland, Nigel W. Arnell, Douglas B. Clark, Rutger Dankers et al. "Multimodel assessment of water scarcity under climate change." *Proceedings of the National Academy of Sciences* 111, no. 9 (2014): 3245-3250. <https://doi.org/10.1073/pnas.1222460110>
- [4] Bakrie, M. "Krisis Air Bersih Melanda Pesisir Maros Sulsel." *detikNews*, August 2, 2019. <https://news.detik.com/berita/d-4649550/krisis-air-bersih-melanda-pesisir-maros-sulsel>.
- [5] Walangare, Kristian BA, Arie SM Lumenta, Janny O. Wuwung, and Brave A. Sugiarto. "Rancang bangun alat konversi air laut menjadi air minum dengan proses destilasi sederhana menggunakan pemanas elektrik." *Jurnal Teknik Elektro dan Komputer* 2, no. 2 (2013).
- [6] Fithriatus, Shalihah. "Perlindungan Hukum Terhadap Kedaulatan Wilayah Negara Republik Indonesia Menurut Konsep Negara Kepulauan Dalam United Nation Convention On The Law Of The Sea (UNCLOS) 1982." (2016): 117.
- [7] Lestari, Fera, Try Susanto, and Kastamto Kastamto. "Pemanenan Air Hujan Sebagai Penyediaan Air Bersih Pada Era New Normal Di Kelurahan Susunan Baru." *SELAPARANG: Jurnal Pengabdian Masyarakat Berkemajuan* 4, no. 2 (2021): 427-434. <https://doi.org/10.31764/jpmb.v4i2.4447>
- [8] Ambari, M. "Indonesia Negeri Tropis, Tapi Krisis Air Bersih di Kawasan Pesisir Terjadi?." (2018).
- [9] Belessiotis, Vassilis, Soteris Kalogirou, and Emmy Delyannis. *Thermal solar desalination: Methods and systems*. Elsevier, 2016.
- [10] Mugisidi, Dan, Oktarina Heriyani, Zeinab S. Abdel-Rehim, and Hamdi Fathurohman. "The influence of container material conductivity to sea water evaporation." In *AIP Conference Proceedings*, vol. 1977, no. 1, p. 030023. AIP Publishing LLC, 2018. <https://doi.org/10.1063/1.5042943>
- [11] Mugisidi, Dan, and Okatrina Heriyani. "Sea water characterization at ujung kulon coastal depth as raw water source for desalination and potential energy." In *E3S Web of Conferences*, vol. 31, p. 02005. EDP Sciences, 2018. <https://doi.org/10.1051/e3sconf/20183102005>
- [12] Curto, Domenico, Vincenzo Franzitta, and Andrea Guercio. "A review of the water desalination technologies." *Applied Sciences* 11, no. 2 (2021): 670. <https://doi.org/10.3390/app11020670>
- [13] Abd Wahid, Khairul Anuar, Ilham Fahmi, Zaid Puteh, Muhammad Nur Farhan Saniman, Kamal Rusulan, Khairul Azhar, and Wan Mansor Wan Muhammad. "Self-Desalination Seawater Jig Based on Solar Thermal Energy." *Journal of Advanced Research in Fluid Mechanics and Thermal Sciences* 91, no. 1 (2022): 92-101. <https://doi.org/10.37934/arfmts.91.1.92101>
- [14] Youssef, P. G., R. K. Al-Dadah, and S. M. Mahmoud. "Comparative analysis of desalination technologies." *Energy Procedia* 61 (2014): 2604-2607. <https://doi.org/10.1016/j.egypro.2014.12.258>

- [15] Amirfakhraei, Amirhossein, Taleb Zarei, and Jamshid Khorshidi. "Performance improvement of adsorption desalination system by applying mass and heat recovery processes." *Thermal Science and Engineering Progress* 18 (2020): 100516. <https://doi.org/10.1016/j.tsep.2020.100516>
- [16] Sadasivuni, Kishor kumar, Hitesh Panchal, Anuradha Awasthi, Mohammad Israr, F. A. Essa, S. Shanmugan, M. Suresh, V. Priya, and Abderrahmane Khechekhouche. "Ground water treatment using solar radiation-vaporization & condensation-techniques by solar desalination system." *International Journal of Ambient Energy* 43, no. 1 (2022): 2868-2874. <https://doi.org/10.1080/01430750.2020.1772872>
- [17] Pakombong, Stefany. "Efek Permukaan Berkain Pada Efisiensi Distilasi Air Energi Surya Jenis Bak."
- [18] Mugisidi, Dan, Berkah Fajar, Syaiful Syaiful, Tony Utomo, Oktarina Heriyani, Delvis Agusman, and Regita Regita. "Iron Sand as a Heat Absorber to Enhance Performance of a Single-Basin Solar Still." *Journal of Advanced Research in Fluid Mechanics and Thermal Sciences* 70, no. 1 (2020): 125-135. <https://doi.org/10.37934/arfmts.70.1.125135>
- [19] Liu, Kai, Zhi Wang, Can Jin, Fang Wang, and Xueyuan Lu. "An experimental study on thermal conductivity of iron ore sand cement mortar." *construction and Building Materials* 101 (2015): 932-941. <https://doi.org/10.1016/j.conbuildmat.2015.10.108>
- [20] Mugisidi, D., R. S. Cahyani, O. Heriyani, and D. Agusman. "Effect of Iron Sand in Single Basin Solar Still: Experimental Study." In *IOP Conference Series: Earth and Environmental Science*, vol. 268, no. 1, p. 012158. IOP Publishing, 2019. <https://doi.org/10.1088/1755-1315/268/1/012158>
- [21] Kazemi, Mohammad Amin, David S. Nobes, and Janet AW Elliott. "Experimental and numerical study of the evaporation of water at low pressures." *Langmuir* 33, no. 18 (2017): 4578-4591. <https://doi.org/10.1021/acs.langmuir.7b00616>
- [22] Szilagyi, Jozsef. "On the thermodynamic foundations of the complementary relationship of evaporation." *Journal of Hydrology* 593 (2021): 125916. <https://doi.org/10.1016/j.jhydrol.2020.125916>
- [23] Jaafar, Zahraa Abdulkareem, Hassanain Ghani Hameed, and Ridha Hasan Hussein. "Experimental investigation of a single slope solar still performance-evaporation process enhancement." In *IOP Conference Series: Materials Science and Engineering*, vol. 928, no. 2, p. 022096. IOP Publishing, 2020. <https://doi.org/10.1088/1757-899X/928/2/022096>
- [24] Aprizki, Eriz, Mamat Rokhmat, and Edy Wibowo. "Analisis Pengaruh Kemiringan Sudut Atap Kaca Dan Penambahan Cermin Pada Alas Basin Terhadap Laju Penguapan Air Garam Dalam Distilator Tenaga Surya." *eProceedings of Engineering* 5, no. 3 (2018).
- [25] Ding, Tianpeng, Yi Zhou, Wei Li Ong, and Ghim Wei Ho. "Hybrid solar-driven interfacial evaporation systems: Beyond water production towards high solar energy utilization." *Materials Today* 42 (2021): 178-191. <https://doi.org/10.1016/j.mattod.2020.10.022>
- [26] Chen, Chaoji, Yudi Kuang, and Liangbing Hu. "Challenges and opportunities for solar evaporation." *Joule* 3, no. 3 (2019): 683-718. <https://doi.org/10.1016/j.joule.2018.12.023>
- [27] Mugisidi, Dan, Berkah Fajar, and Tony Utomo. "The effect of water surface level in sensible heat material on yield of Single Basin solar still: experimental study." In *Journal of Physics: Conference Series*, vol. 1373, no. 1, p. 012014. IOP Publishing, 2019. <https://doi.org/10.1088/1742-6596/1373/1/012014>
- [28] Feilizadeh, Mehrzad, MR Karimi Estahbanati, Amimul Ahsan, Khosrow Jafarpur, and Amin Mersaghian. "Effects of water and basin depths in single basin solar stills: An experimental and theoretical study." *Energy conversion and management* 122 (2016): 174-181. <https://doi.org/10.1016/j.enconman.2016.05.048>
- [29] Tarawneh, Muafag Suleiman K. "Effect of water depth on the performance evaluation of solar still." *JJMIE* 1, no. 1 (2007).
- [30] Tiwari, Anil Kr, and G. N. Tiwari. "Effect of water depths on heat and mass transfer in a passive solar still: in summer climatic condition." *Desalination* 195, no. 1-3 (2006): 78-94. <https://doi.org/10.1016/j.desal.2005.11.014>
- [31] Kabeel, A. E., Swellam W. Sharshir, Gamal B. Abdelaziz, M. A. Halim, and Ahmed Swidan. "Improving performance of tubular solar still by controlling the water depth and cover cooling." *Journal of cleaner production* 233 (2019): 848-856. <https://doi.org/10.1016/j.jclepro.2019.06.104>
- [32] Geng, Junxia, Yan Luo, Haiying Fu, Qiang Dou, Hui He, Guoan Ye, and Qingnuan Li. "Temperature and pressure effect on evaporation behavior of chloride salts using low pressure distillation." *Progress in Nuclear Energy* 147 (2022): 104212. <https://doi.org/10.1016/j.pnucene.2022.104212>
- [33] Speedy, Robin J., Pablo G. Debenedetti, R. Scott Smith, Chen Huang, and Bruce D. Kay. "The evaporation rate, free energy, and entropy of amorphous water at 150 K." *The Journal of chemical physics* 105, no. 1 (1996): 240-244. <https://doi.org/10.1063/1.471869>
- [34] Fathinia, Farshid, Mehdi Khadani, and Yasir M. Al-Abdeli. "Experimental and mathematical investigations of spray angle and droplet sizes of a flash evaporation desalination system." *Powder Technology* 355 (2019): 542-551. <https://doi.org/10.1016/j.powtec.2019.07.081>

- [35] Farnham, Craig, Masaki Nakao, Minako NABESHIMA, and Takeo MIZUNO. "Effect of water temperature on evaporation of mist sprayed from a nozzle." *change* 1, no. 3 (2015): 5.
- [36] Holman, J. P. "Heat transfer, 10th editi. ed." *Mc-GrawHill Higher education* (2010).
- [37] Khan, Md Imran H., Chanaka Prabuddha Batuwatta-Gamage, M. A. Karim, and YuanTong Gu. "Fundamental Understanding of Heat and Mass Transfer Processes for Physics-Informed Machine Learning-Based Drying Modelling." *Energies* 15, no. 24 (2022): 9347. <https://doi.org/10.3390/en15249347>
- [38] Mohamad, Barhm. "Lecture Notes in Mass Transfer." (2022).
- [39] Bravo, Jose L. "Principles and Modern Applications of Mass Transfer Operations By J. Benitez." (2011): 3243-3243. <https://doi.org/10.1002/aic.12641>
- [40] Utami, Herti, and Azhar Azhar. "Buku Ajar Transfer Massa dan Panas." (2017).
- [41] Rohmawati, Indah. "Simulasi Model Perpindahan Panas dan Massa pada Proses Pengeringan Butiran Kedelai." (2013).
- [42] Murzin, Dmitry Yu. "Chapter 3: Chemical Processes and Unit Operations." Essay. In *Chemical Reaction Technology*, 67–102. Turku: De Gruyter, 2015. <https://doi.org/10.1515/9783110336443-005>
- [43] Sorokova, Natalia, Vladimir Didur, and Miroslav Variny. "Mathematical Modeling of Heat and Mass Transfer during Moisture–Heat Treatment of Castor Beans to Improve the Quality of Vegetable Oil." *Agriculture* 12, no. 9 (2022): 1356. <https://doi.org/10.3390/agriculture12091356>
- [44] Waleign, Tadesse, Eshetu Haile, Tesfaye Kebede, and Assaye Walegn. "Analytical study of heat and mass transfer in MHD flow of chemically reactive and thermally radiative Casson nanofluid over an inclined stretching cylinder." *Journal of Physics Communications* 4, no. 12 (2020): 125003. <https://doi.org/10.1088/2399-6528/abcdba>
- [45] Dan Mugisidi, Dan Mugisidi, Abdul Rahman Abdul Rahman, Oktarina Heriyani Oktarina Heriyani, and Pancatstva Hesti Gunawan Pancatstva Hesti Gunawan. "Determination of the convective heat transfer constant (c and n) in a solar still." *Jurnal Ilmiah Sains dan Teknologi* 11, no. 1 (2021): 1-12. <https://doi.org/10.22146/teknosains.50908>
- [46] Kamel, Ammar Hatem, Haitham Abdulmohsin Afan, Mohsen Sherif, Ali Najah Ahmed, and Ahmed El-Shafie. "RBFNN versus GRNN modeling approach for sub-surface evaporation rate prediction in arid region." *Sustainable Computing: Informatics and Systems* 30 (2021): 100514. <https://doi.org/10.1016/j.suscom.2021.100514>
- [47] Invernizzi, Marzio, Alessia Bellini, Riccardo Miola, Laura Capelli, Valentina Busini, and Selena Sironi. "Assessment of the chemical-physical variables affecting the evaporation of organic compounds from aqueous solutions in a sampling wind tunnel." *Chemosphere* 220 (2019): 353-361. <https://doi.org/10.1016/j.chemosphere.2018.12.124>
- [48] Tanggu, Rini, Dian Pranata Putra Ambali, Rikardus Rantetasak, Nuri Tumba Saranga, Winriani Tandiang, and Asri Palullungan. "Tingkat Evaporasi di Kampus II Universitas Kristen Indonesia Toraja." *Journal Dynamic Saint* 6, no. 2 (2021): 53-56.
- [49] Uno, Paul J. "Plastic shrinkage cracking and evaporation formulas." *ACI Materials Journal* 95 (1998): 365-375. <https://doi.org/10.14359/379>
- [50] Yuga, Ahmad Yudha, Tamrin Tamrin, Warji Warji, and Sapto Kuncoro. "Modifikasi Rancang Bangun Kondensasi Uap Air Laut untuk Mendapatkan Air Murni." *Jurnal Agricultural Biosystem Engineering* 1, no. 4 (2022): 446-454.
- [51] Zhang, Ke, John S. Kimball, Ramakrishna R. Nemani, Steven W. Running, Yang Hong, Jonathan J. Gourley, and Zhongbo Yu. "Vegetation greening and climate change promote multidecadal rises of global land evapotranspiration." *Scientific reports* 5, no. 1 (2015): 1-9. <https://doi.org/10.1038/srep15956>
- [52] Elango, C., N. Gunasekaran, and K. Sampathkumar. "Thermal models of solar still—A comprehensive review." *Renewable and Sustainable Energy Reviews* 47 (2015): 856-911. <https://doi.org/10.1016/j.rser.2015.03.054>
- [53] Nurhayati, Nurhayati, and Jamrud Aminuddin. "Pengaruh kecepatan angin terhadap evapotranspirasi berdasarkan metode penman di kebun stroberi purbalingga." *Elkawnie: Journal of Islamic Science and Technology* 2, no. 1 (2016): 21-28.
- [54] Mugisidi, Dan, Oktarina Heriyani, Pancatstva Hesti Gunawan, and Dwi Apriani. "Performance Improvement of a Forced Draught Cooling Tower Using a Vortex Generator." *CFD Letters* 13, no. 1 (2021): 45-57. <https://doi.org/10.37934/cfdl.13.1.4557>
- [55] Dewi, Francisca Gayuh Utami. "Pengaruh Kecepatan Dan Arah Aliran Udara Terhadap Kondisi Udara Dalam Ruangan Pada Sistem Ventilasi Alamiah." *Jurnal Rekayasa Mesin* 3, no. 2 (2012): 299-304.
- [56] Sulfemi, Wahyu Bagja. "Korelasi Kompetensi Pedagogik Guru dengan Prestasi Belajar Mata Pelajaran IPS Di SMP Muhammadiyah Pamijahan Kabupaten Bogor." (2019). <https://doi.org/10.31227/osf.io/9qrbc>
- [57] Majhi, Babita, Diwakar Naidu, Ambika Prasad Mishra, and Suresh Chandra Satapathy. "Improved prediction of daily pan evaporation using Deep-LSTM model." *Neural Computing and Applications* 32 (2020): 7823-7838. <https://doi.org/10.1007/s00521-019-04127-7>
- [58] Holman, Jack Philip. "Experimental Methods for Engineers Eighth Edition." (2021).

- [59] Khamdila, Ali, Santhi Wilastari, and Agus Saleh. "Menjaga Kestabilan Suhu Ruang Evaporator Berdampak Pada Hasil Produksi Air Tawar Fresh Water Generator." *Jurnal Sains Dan Teknologi Maritim* 19, no. 2 (2019): 111-120. <https://doi.org/10.33556/jstm.v19i2.200>
- [60] Mardatila, Ani. "Mengenal Siklus Air Beserta Pengertian, Tahapan Dan Urutannya." merdeka.com, August 28, 2020. <https://www.merdeka.com/sumut/mengenal-siklus-air-beserta-pengertian-tahapan-dan-urutannya-klm.html>.
- [61] Ahmad, Latief, Raihana Habib Kanth, Sabah Parvaze, and Syed Sheraz Mahdi. *Experimental agrometeorology: a practical manual*. Vol. 159. Springer International Publishing, 2017. <https://doi.org/10.1007/978-3-319-69185-5>
- [62] Davarzani, Hossein, Kathleen Smits, Ryan M. Tolene, and Tissa Illangasekare. "Study of the effect of wind speed on evaporation from soil through integrated modeling of the atmospheric boundary layer and shallow subsurface." *Water resources research* 50, no. 1 (2014): 661-680. <https://doi.org/10.1002/2013WR013952>
- [63] As-syarif, Anwar Hidayat, Suwandi Suwandi, and Endang Rosdiana. "Pengaruh Penguapan Air Terhadap Suhu Dan Kelembaban Udara Di Suatu Ruangan." *eProceedings of Engineering* 8, no. 2 (2021).
- [64] Young, Jim. "Factors Influencing the Likelihood of Surface Condensation on Mechanical Systems Insulation, Part 1" *Insulation Outlook Magazine*, July 1, 2012. <https://insulation.org/io/articles/factors-influencing-the-likelihood-of-surface-condensation-on-mechanical-systems-insulation-part-one/>
- [65] Titahelu, Nicolas, and Samy J. Litololy. "Analisis Laju Kondensasi Akibat Pengaruh Kecepatan Udara Terhadap Karakteristik Perpindahan Panas Pada Oven Pengering Pati Sagu Kapasitas." *ALE Proceeding* 1 (2018): 108-114. <https://doi.org/10.30598/ale.1.2018.108-114>
- [66] Tamrin, Tamrin, Rivaldo Rivaldo, and Warji Warji. "Kinerja Alat Kondensasi Uap Air Laut Untuk Mendapatkan Air Murni." *Jurnal Teknik Pertanian Lampung (Journal of Agricultural Engineering)* 10, no. 4 (2021): 425-431. <https://doi.org/10.23960/jtep-l.v10i4.425-431>

Ristanto Wirangga - The Impact of Wind Speed on the Rate of Water Evaporation in a Desalination Chamber

ORIGINALITY REPORT

18%

SIMILARITY INDEX

14%

INTERNET SOURCES

12%

PUBLICATIONS

4%

STUDENT PAPERS

PRIMARY SOURCES

1	mafiadoc.com Internet Source	2%
2	journals.plos.org Internet Source	2%
3	hdl.handle.net Internet Source	1%
4	Mousa Abu-Arabi, Mohammad Al-harahsheh, Maysam Ahmad, Hasan Mousa. "Theoretical modeling of a glass-cooled solar still incorporating PCM and coupled to flat plate solar collector", Journal of Energy Storage, 2020 Publication	1%
5	Submitted to St. Francis Preparatory High School Student Paper	1%
6	scitechdaily.com Internet Source	1%

7	Oktarina Heriyani, Mohammad Djaeni, Syaiful Syaiful, Aldila Kurnia Putri. "Perforated concave rectangular winglet pair vortex generators enhance the heat transfer of air flowing through heated tubes inside a channel", Results in Engineering, 2022	1 %
Publication		
8	ejournal.radenintan.ac.id	1 %
Internet Source		
9	jurnal.ugm.ac.id	1 %
Internet Source		
10	Srithar, K.. "Open fibre reinforced plastic (FRP) flat plate collector (FPC) and spray network systems for augmenting the evaporation rate of tannery effluent (soak liquor)", Solar Energy, 200712	1 %
Publication		
11	jser.ut.ac.ir	1 %
Internet Source		
12	Asaad H. Sayer, Hazim Al-Hussaini, Alasdair N. Campbell. "Experimental analysis of the temperature and concentration profiles in a salinity gradient solar pond with, and without a liquid cover to suppress evaporation", Solar Energy, 2017	<1 %
Publication		

13	Davarzani, Hossein, Kathleen Smits, Ryan M. Tolene, and Tissa Illangasekare. "Study of the effect of wind speed on evaporation from soil through integrated modeling of the atmospheric boundary layer and shallow subsurface : EFFECT OF WIND SPEED ON EVAPORATION FROM SOIL", Water Resources Research, 2014. Publication	<1 %
14	smartech.gatech.edu Internet Source	<1 %
15	Stephen W. Roberts, Kenneth R. Knoerr. " Estimates of Variable Plant Resistance to Water Flux in Ait. ", Plant Physiology, 1978 Publication	<1 %
16	Submitted to University of Sunderland Student Paper	<1 %
17	Submitted to Sacred Heart University Student Paper	<1 %
18	macsphere.mcmaster.ca Internet Source	<1 %
19	ro.ecu.edu.au Internet Source	<1 %
20	semarakilmu.com.my Internet Source	<1 %

21 Abujazar, Mohammed Shadi S., S. Fatihah, A.R. Rakmi, and M.Z. Shahrom. "The effects of design parameters on productivity performance of a solar still for seawater desalination: A review", Desalination, 2016.
Publication <1 %

22 Fei Duan, Ian Thompson, C. A. Ward. "Statistical Rate Theory Determination of Water Properties below the Triple Point", The Journal of Physical Chemistry B, 2008
Publication <1 %

23 Submitted to Queen's University of Belfast
Student Paper <1 %

24 docs.lib.purdue.edu
Internet Source <1 %

25 uokerbala.edu.iq
Internet Source <1 %

26 Ahmad S. Awad. "Experimental Study on Productivity of Different Designs of Solar Stills in Hot Climatic Conditions", International Review of Mechanical Engineering (IREME), 2019
Publication <1 %

27 Masoud Sobhani, Hossein Ajam. "Experimental performance evaluation of a novel design solar desalination device equipped with air stones", Desalination, 2022 <1 %

28	ebin.pub Internet Source	<1 %
29	hrcak.srce.hr Internet Source	<1 %
30	repository.uhamka.ac.id Internet Source	<1 %
31	Submitted to Cambridge High School Student Paper	<1 %
32	Vassilis Belessiotis, Soteris Kalogirou, Emmy Delyannis. "Indirect Solar Desalination (MSF, MED, MVC, TVC)", Elsevier BV, 2016 Publication	<1 %
33	eprints.covenantuniversity.edu.ng Internet Source	<1 %
34	onlinelibrary.wiley.com Internet Source	<1 %
35	qspace.qu.edu.qa Internet Source	<1 %
36	teras.unimal.ac.id Internet Source	<1 %
37	www.mdpi.com Internet Source	<1 %
38	www.researchgate.net Internet Source	<1 %

39

Dan Mugisidi, Oktarina Heriyani. "Study of Utilization Under Sea-water Hydrostatic Pressure as Hydro Power Generation", E3S Web of Conferences, 2018

Publication

<1 %

Exclude quotes Off

Exclude matches Off

Exclude bibliography On